

# MAFRF401 series

AIR UNITS (F.R.UNIT)

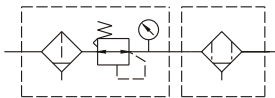


## Specification:

Model	MAFRF401		
Bore No.	8A	10A	15A
Port size	PT 1/4	PT 3/8	PT 1/2
Medium	Air		
Operating pressure range	0~15 kgf/cm <sup>2</sup> (0~1.5 Mpa)		
Proof pressure	20 kgf/cm <sup>2</sup> (2 Mpa)		
Regulation pressure range	Standard type: 1~8.5 kgf/cm <sup>2</sup> (0.1~0.85 MPa) High pressure type: 1~15 kgf/cm <sup>2</sup> (0.1~1.5 Mpa)		
Ambient temperature	-5~+60°C (No freezing)		
Filtration	5 μm+0.3 μm		
Weight	1453 g		
Attachment	Pressure gauge		

※ Standard unit contains semi-auto-drain function when operating pressure below 0.5 kgf/cm<sup>2</sup>

Symbol:



Order example:

MAFRF401 - 8A - [ ] - B - BSP

MODEL

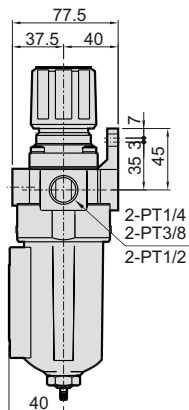
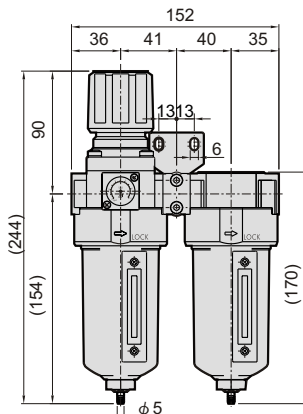
BORE SIZE  
8A: PT 1/4  
10A: PT 3/8  
15A: PT 1/2

Blank: Standard type  
C: External pressure gauge  
D: Auto drain valve  
H: High pressure type

Blank: Standard type  
B: C type bracket

PORT THREAD  
Blank: PT thread  
BSP: BSP thread  
NPT: NPT thread

MAFRF401



MAFRF401-B

